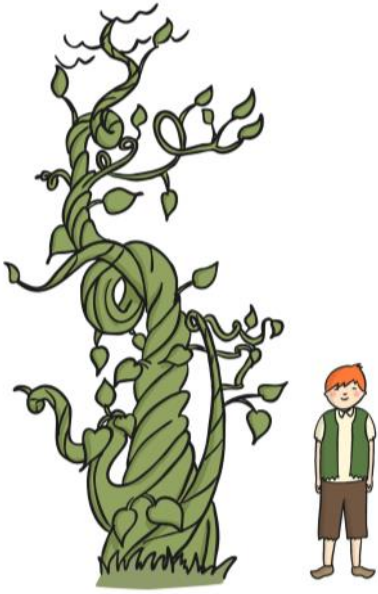


Jack and the Beanstalk



twinkl

Peter Pan



twinkl

Goldilocks and the Three Bears



twinkl

Hansel and Gretel



twinkl

Wednesday 27th May

Writing - (Fairy Tales) Cut out the pictures from various fairy tales and hide them around the house. Using the checklist, children have to hunt for the pictures and then tick them off on their checklist.

Cinderella



twinkl

The Gingerbread Man



twinkl

Little Red Riding Hood



twinkl

Pinocchio



twinkl

Rapunzel



twinkl

Puss In Boots



twinkl

The Frog Prince



twinkl

The Pied Piper



twinkl

Traditional Tales Hunt Checklist

Name _____



Cinderella



The Frog Prince



The Gingerbread Man



The Pied Piper



Little Red Riding Hood



Jack and the Beanstalk



Pinocchio



Peter Pan



Rapunzel



Goldilocks and The Three Bears



Puss in Boots

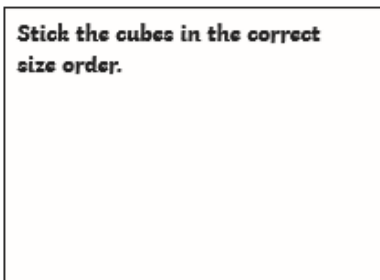
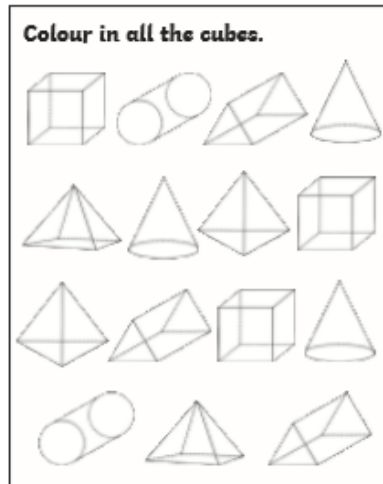
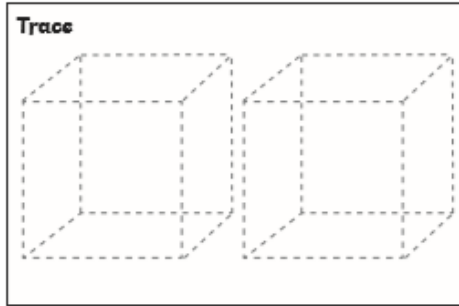
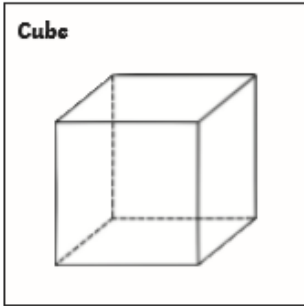


Hansel and Gretel

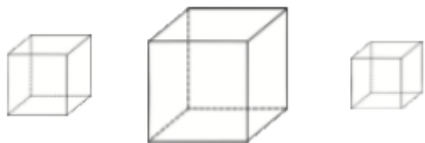
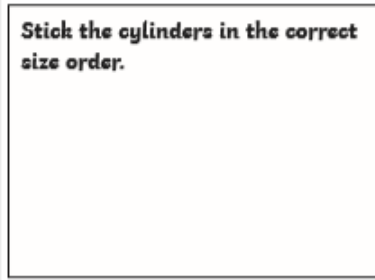
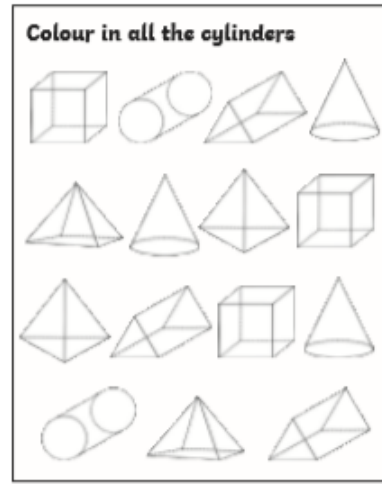
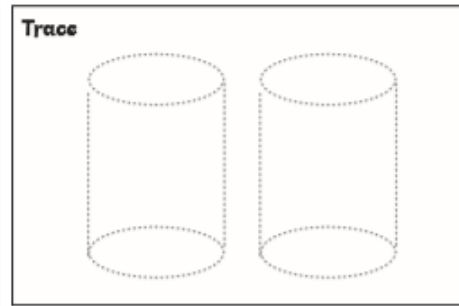
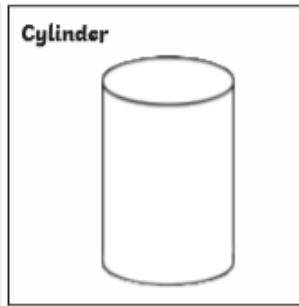
Wednesday 27th May

Maths - (3D shapes)

Cube Shape



Cylinder Shape



Wednesday 27th May

Letters and Sounds

Phase 4 - sounds and letter formation

Letter Formation Worksheet

pr

Trace over these sounds.

pr pr pr pr pr pr

Now try writing them on your own..

Letter Formation Worksheet

sc

Trace over these sounds.

sc sc sc sc sc sc

Now try writing them on your own..

Complete the words below by writing in the correct sound.



__inter



__esent



__arf



__ale

Phase 3 - sounds and letter formation

Phoneme tracing letters



Phoneme tracing letters



Now, let's practise!

er er er er er er

Now, let's practise!

s s s s s s s s
